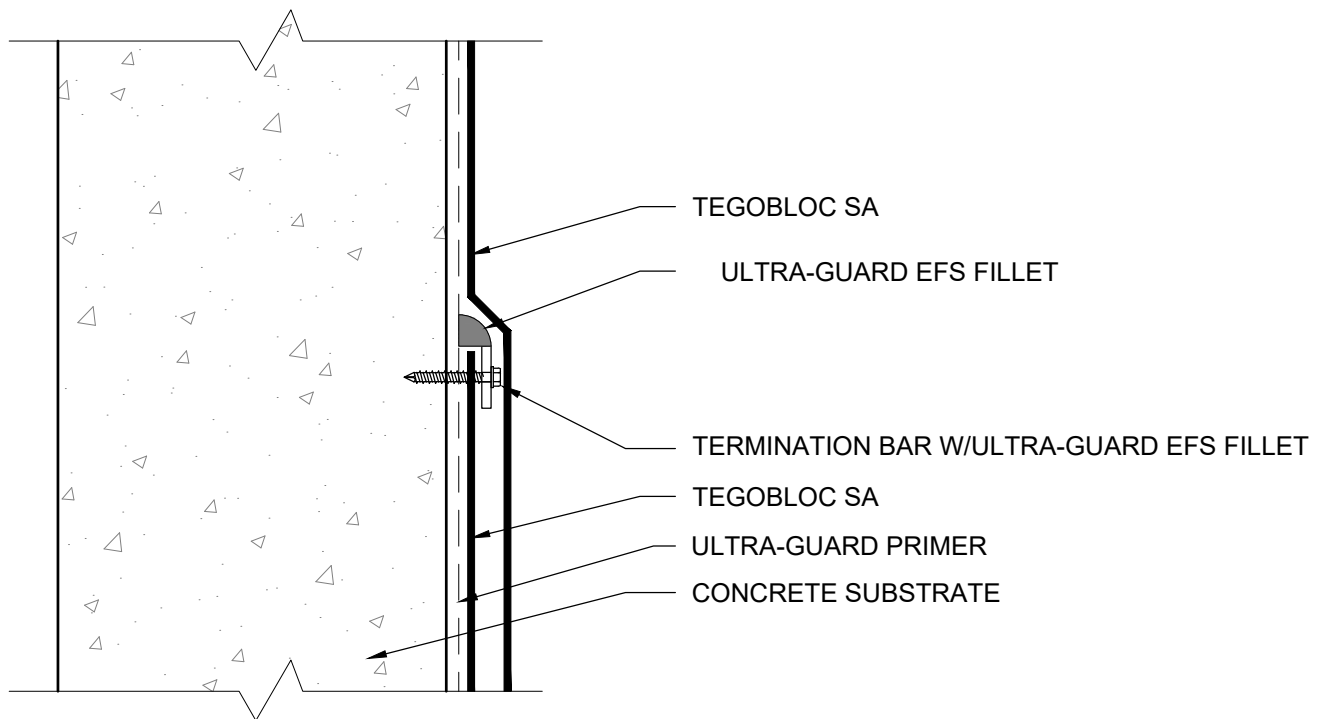


NOTES:

1. CONTINUOUS TERMINATION BAR, REGLET OR COUNTERFLASHING DETAILS ARE ACCEPTABLE.
2. A TERMINATION BAR MUST BE USED ON ALL DECK TO WALL EXPANSION JOINT DETAILS.



DRAWINGS ON 8¹/₂"x11 TITLE BLOCKS ARE NOT TO SCALE.

TegoBloc SA

TERMINATION BAR DETAIL



DETAIL ID:		SA-09	
REPRESENTATIVE:			
DATE:	SHT:	OF	